

# ROBOTICS Hands-on STEM After-School ENRICHMENT

Boys & Girls  
Grades K - 5

Design and Build NEW Robots, Robotic Vehicles, Robotic Creatures and BattleBots Based on unique NEW Tasks, Challenges & Time-Trials based on California & National Science Standards on Numerous NEW Platforms including Targets, Inter-Locking Sectionals, Mars Terrains, Obstacle Courses & Much, Much More.

Boys & Girls attending will use numerous applications of Math & Science Building Bots with creativity & imagination using NEW Motors, Controllers, Cables and Parts to develop their NEW Hands-on Builds in an Educational, Entertaining and Fun Environment with Individual, Team and Group situations.

**Instructors: Sammuel Rice, Director - Neal L Friedman, Lead Educator**



**Eight (8) Thursday Sessions - 2:40pm to 3:40pm**

***Sept 19<sup>th</sup>, 26<sup>th</sup>, Oct 3<sup>rd</sup>, 10<sup>th</sup>, 17<sup>th</sup>, 24<sup>th</sup>, 31<sup>st</sup> & Nov 7<sup>th</sup>, 2019***

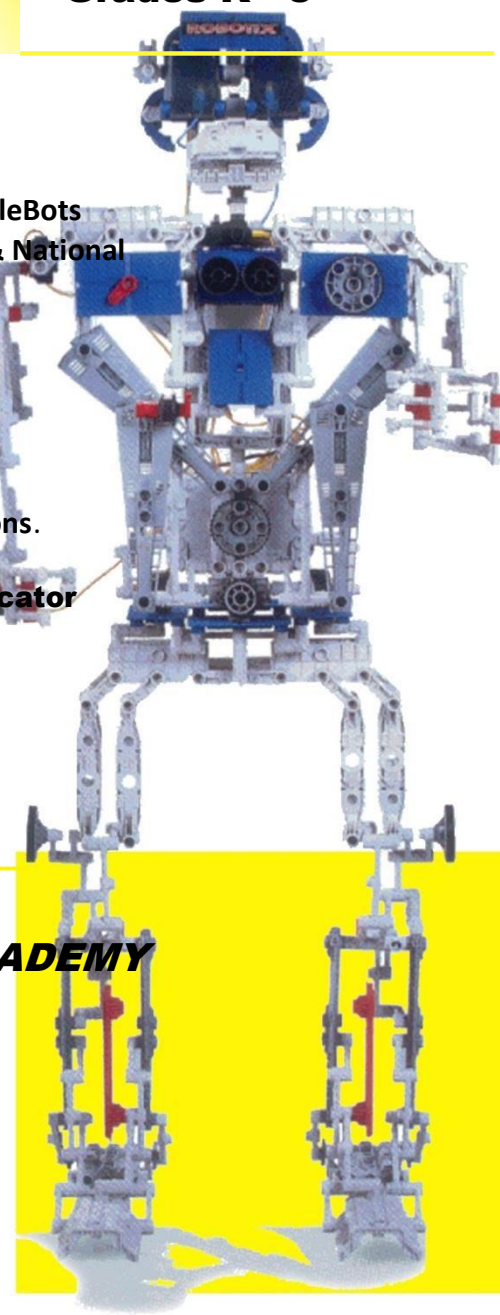
***MOUNTAIN MEADOWS 21<sup>st</sup> CENTURY LEARNING ACADEMY***

***4200 Mountain Meadow Dr - Moorpark, CA 93021***

**\$150.00 Registration Fee or \$175.00 OPTION includes NEW Robotic Kit**

**Both Registrations Includes:**

**Materials Fee, Instruction, Collaterals & Certificate of Achievement**



For Information, please **CALL** Neal Friedman at 805.660.1809

**E-MAIL** [neal@roboticsandthings.com](mailto:neal@roboticsandthings.com)

**REGISTER ONLINE on Mountain Meadows Vertical Box at**

**[www.roboticsandthings.com](http://www.roboticsandthings.com)**

***Not Affiliated Moorpark Unified School District***